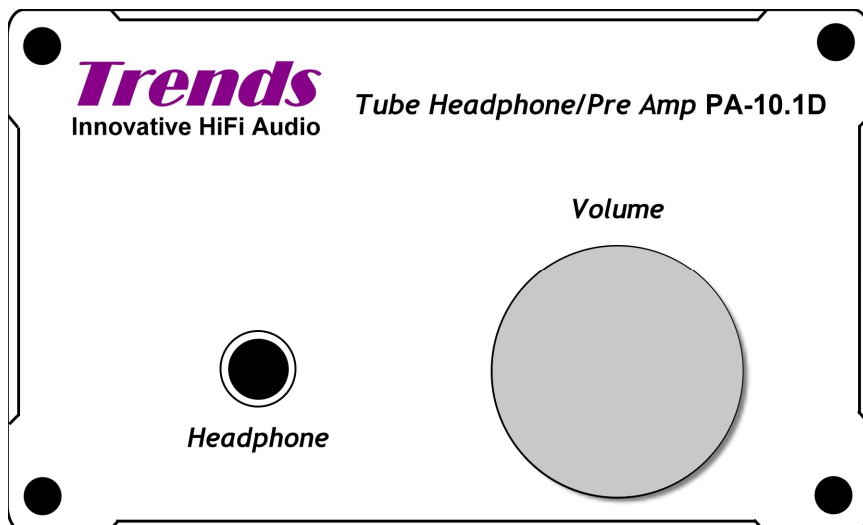


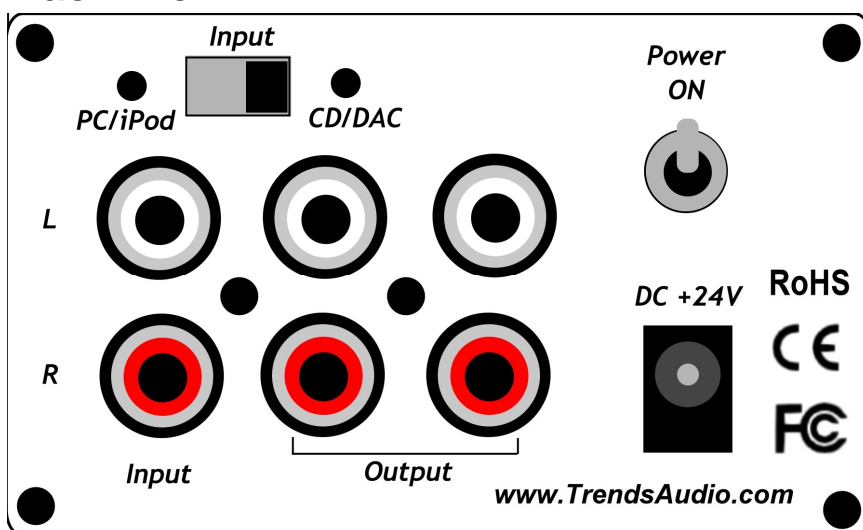
## 1. Trends PA-10.1D Tube Headphone/Pre-amp

### Front View



1. Headphone Socket
2. Volume Controller – Turn Anti-clockwise to minimize the volume level and vice versa.

### Back View



3. PC/iPod – Input from PC/Mac/iPod/iPad/iPhone with higher gain using audio cable (2RCA-2RCA)
4. CD/DAC - Input from CD/DAC using audio cable (2RCA-2RCA)
5. Input – Selection for CD/DAC or PC/iPod input. The default is CD/DAC input
6. Output – To any line level input on your amplifier using audio cable(2RCA-2RCA)
7. Power ON/OFF switch – pull up to power on the PA-10 and pull down to power off.
8. Power Supply Socket – Plug the bundled AC Adaptor to this socket to supply power.

## 2. Bi-amp solution

Just simply configure your existing Trends TA-10 Class-T Stereo Audio as a pure power amp (no volume control function) by resetting the jumpers in J2(Refer to user manual). The input impedance of the Trends TA-10 amplifier is about 50k ohm.

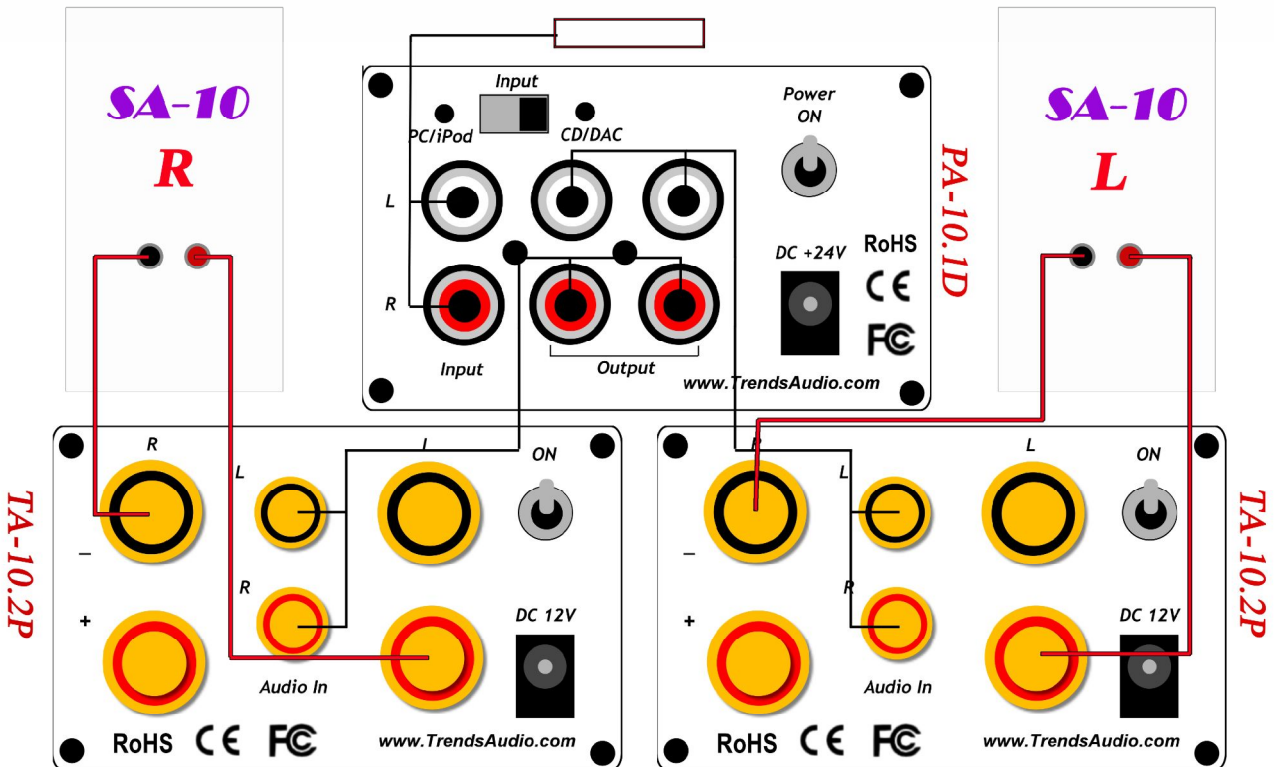
It is easier to bi-amp your speakers with two Trends TA-10 amplifier, connecting one of these to the highs binding posts and the other to the bass ones.

You can alternatively bi-amp your speakers using one TA-10 per speaker. Of course each TA 10 should be fed by a single channel only! (One TA 10 connected to the right channel, the other to the left one). In any case, you need a signal splitter, some kind of Y or T adapter (2 pairs of RCA's outputs) to double the signal that feeds the TA 10's (few \$). See the details of Horizontal Bi-amp and Vertical Bi-amp set in previous pages.

Remark:

Please consult with your dealer or experts if you have any queries for building the Bi-amp solution.

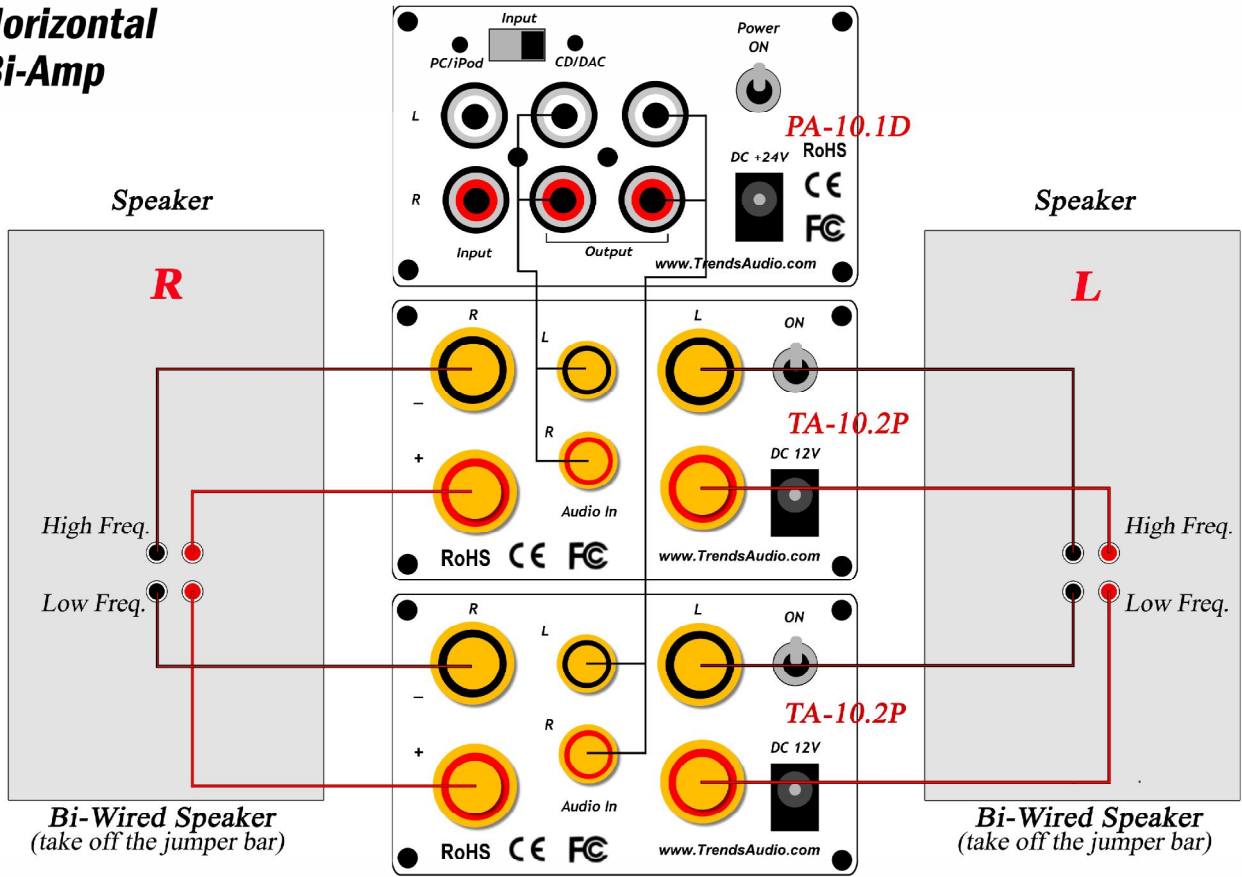
### Monoblock setup



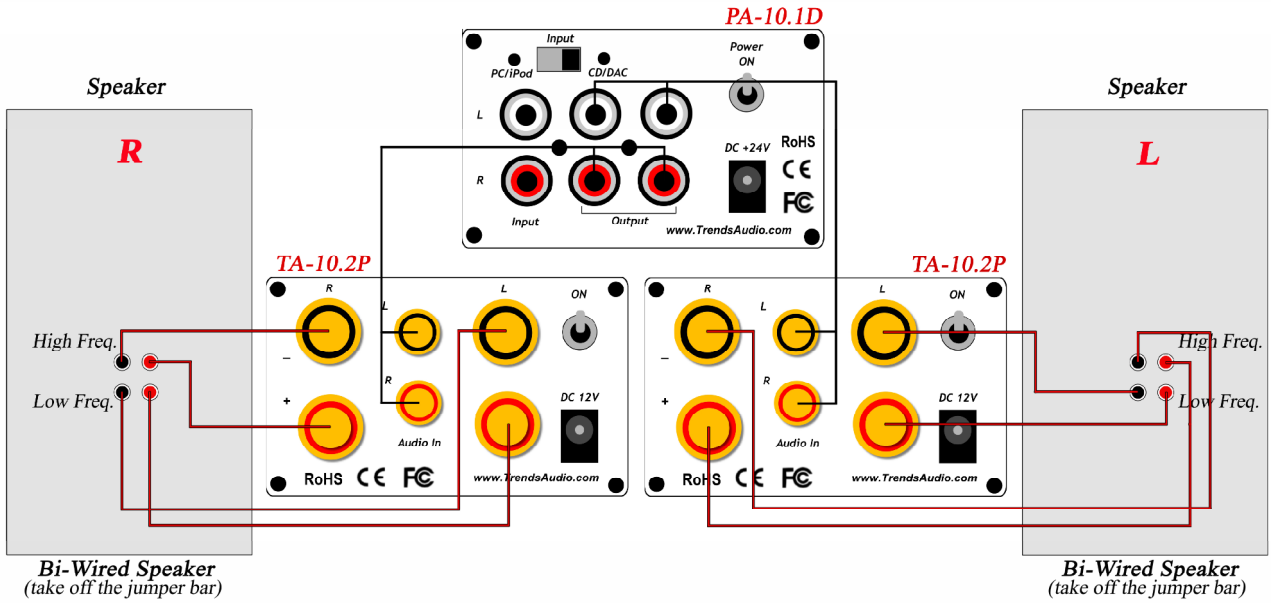
PA-10.1D Tube Headphone/Pre-amp Bi-amp Guide

Trends BA-10 Bi-amp Audio System

**Horizontal  
Bi-Amp**



**Vertical  
Bi-Amp**



### 3. Comparison

Model	Trends PA-10	Trends PA-10.1D SE*	Trends PA-10.1D GE
Tube	Chinese 6N11	Russian 6H23n	U.S.A GE 12AU7
Tube Types	6DJ8/6922 series	6DJ8/6922 series	12AU7 series
Power filtering Capacitor	Rubycon MCZ	ELNA Silmic II	ELNA Silmic II
Audio output Capacitor	10uF cap(Black)	ELNA Silmic II	ELNA Silmic II
Headphone output Capacitor	Rubycon MCZ	ELNA Silmic II	ELNA Silmic II
Input	Two (CD/DAC & PC/iPod)	One (switchable) (CD/DAC or PC/iPod)	One (switchable) (CD/DAC or PC/iPod)
Output	One	Two	Two
Front Panel	1.5mm	4mm	4mm
Volume Control	Taiwan Made	ALPS	ALPS
Remark	The most economical way to enter the world of true high fidelity headphone & pre amp system"	The Heart of Bi-amp Hi-Fi system	The Heart of Bi-amp Hi-Fi system

### 4. Contact Us

#### ITOK Media Limited (Trends Audio)

Address: Unit E, 13/F., World Tech Centre,  
95 How Ming Street, Kwun Tong, Kowloon, Hong Kong

Phone: +852 2304 0730 (9am-6pm, HKG Time)

Fax: +852 2566-5740

Email: sales@TrendsAudio.com (Sales)  
support@TrendAudio.com (Support)

Web: <http://www.TrendsAudio.com>